

REVISED STARTING  
SERIAL # 110310006

## PARTS LIST MANUAL

# MODEL TMC7



**GASOLINE MODEL**



**ELECTRIC MODEL**

### 7" TURBO MAX COMBO GRINDERS

SKU #	MODEL #	POWER OPTION
57100	TMC7-5.5H	HONDA GASOLINE ENGINE MODEL GXV160
57200	TMC7-2L	LEESON ELECTRIC MOTOR 2HP 60Hz 1-PHASE 115/230V



A Division of Equipment Development Company, Inc.

100 Thomas Johnson Drive, Frederick, MD 21702-4600 USA  
Phone (301) 663-1600 • 1-800-638-3326  
Fax (301) 663-1607 • 1-800-447-3326  
Website: [www.edcoinc.com](http://www.edcoinc.com)  
Email: [sales@edcoinc.com](mailto:sales@edcoinc.com)

Printed in USA

JWA ©2011

READ AND UNDERSTAND THE OPERATORS INSTRUCTION MANUAL THOROUGHLY BEFORE ATTEMPTING TO OPERATE THIS EQUIPMENT. Death or serious injury could occur if this machine is used improperly.



## SAFETY MESSAGES



The safety instructions are preceded by a graphic alert message of DANGER, WARNING, or CAUTION.



Indicates an imminent hazard which, if not avoided, will result in death or serious injury.



Indicates an imminent hazard which, if not avoided, can result in death or serious injury.



Indicates hazards which, if not avoided, could result in serious injury and or damage to the equipment.

## GASOLINE Powered Equipment



- Do not operate gasoline powered equipment without adequate ventilation. Carbon monoxide is an invisible, odorless gas that can kill.

## ELECTRICAL Powered Equipment



- ELECTRICAL HAZARD** - Be sure equipment is properly grounded. Failure to comply could kill or result in serious injury.



The engine exhaust from this product contains chemicals known to the State of California to cause cancer, birth defects or other reproductive harm.

## GENERAL INSTRUCTIONS



- You must read and understand the operators instruction manual and all other manuals associated with this machine. For your safety and the safety of others around you, it is extremely important to fully understand how to operate this machine in the way it was intended. Different model machines or older/newer versions of the same model may have different parts and controls that you need to understand. If instructions are not readable or available DO NOT USE this machine and contact the factory for a replacement Manual.
- You must be able to physically handle the bulk weight and power of this machine. If not properly controlled this machine can cause death or serious injury.
- Do not operate this machine in an impaired mental state. You must be able to exercise good judgement and reactions to maintain a safe working environment.
- This is a "one person" machine which means only one operator can be operating the machine at any one time. For the safety of others, maintain a safe operating distance to other personnel. Your work area should be defined and appropriately marked so bystanders and coworkers do not stand or walk near this machine and end up seriously injured by flying debris or exposing them to harmful noise or dust.
- This equipment is for Commercial use. Although this is a "one person" machine your work team should understand how to shut this machine off and quickly get medical help if an accident strikes the operator.
- Keep all guards in place during operation. The guards are to provide protection from inadvertent contact with dangerous moving parts, pinch points, or hot surfaces.
- Wear appropriate Personal Protective Equipment (PPE) including safety glasses, safety boots, work gloves, respiratory protection, hearing protection, and head protection. Do not wear loose clothing that can get tangled in moving parts. Failure to do so could result

in dismemberment or death. **Wear an approved respirator when removing hazardous materials or when grinding/cutting dry materials. Some dust particles such as concrete dust can contain silicate particles which can cause silicosis (a very serious lung disease). Contact NIOSH or OSHA for further details. When wet grinding/cutting, avoid contact with the concrete/asphalt slurry which can cause serious skin irritations.**

- You must maintain this machine per the maintenance schedule in the operator manual. Remember before adjusting, servicing, or fueling this machine, disconnect the source of power to the machine by disconnecting the spark plug (Gas models), or by unplugging the electrical power cord (electric models) or air hose (Pneumatic models) AT THE MACHINE so you can assure yourself it remains unplugged while you are working on it. Do not modify this machine. Use only genuine EDCO parts and accessories. Repairs and service should be performed by approved EDCO dealers or authorized technicians.
- You should look carefully around the area before you begin work so you can identify potential hazards such as deck inserts, pipes, columns, openings, electrical cords or outlets, or any other objects protruding from the slab surface.
- This machine has no brain so you must use your own. There is no substitute for safety. The safety decals on the machine are to serve as a reminder for information you must already know before you begin using this machine. Take a moment to reread the safety decals each time you use the machine. If your machine is missing any decals, contact the factory for a replacement (EDCO 1-800-638-3326).

# PARTS LIST MANUAL

## MODEL TMC7

### 7" TURBO MAX COMBO GRINDERS

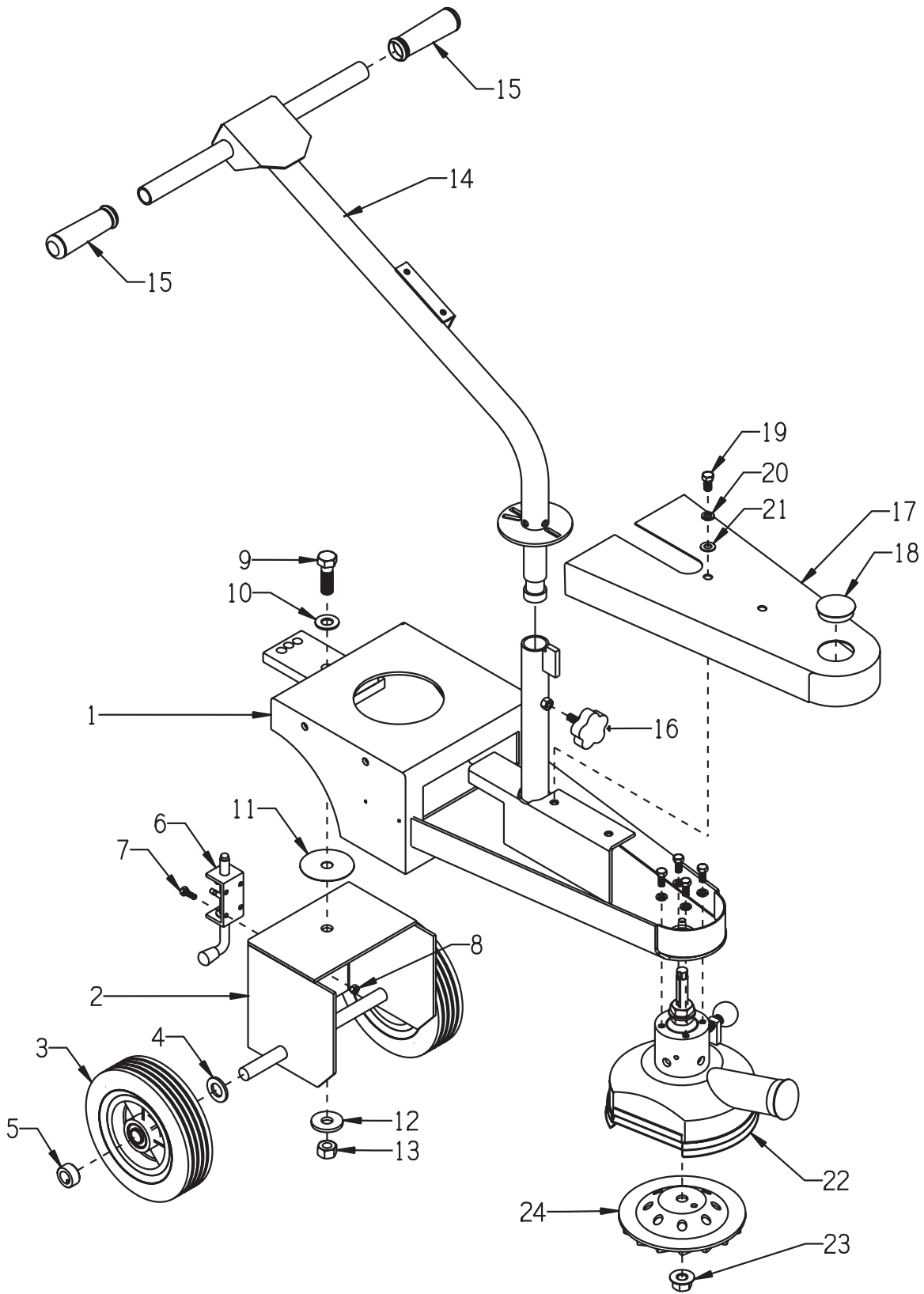
#### TABLE OF CONTENTS

<u>Section</u>	<u>Page Number</u>
Safety Messages and General Instructions . . . . .	2
How To Order Replacement Parts . . . . .	3
Illustration 1: Main Grouping . . . . .	4, 5
Illustration 2: Engine Grouping . . . . .	6, 7
Illustration 3: Motor Grouping . . . . .	8, 9
Illustration 4: Standard Flex Head Assembly . . . . .	10, 11
Illustration 5: Optional Head Assemblies . . . . .	10, 11
Illustration 6: Optional Multi-Disc Assembly . . . . .	12
Illustration 7: Optional Scarifier Disc Assembly . . . . .	13
Illustration 8: Switch Wiring Diagram . . . . .	14
Illustration 9: Motor Wiring Diagram . . . . .	15
Limited Equipment Warranty of Sale - Terms & Conditions . . . . .	16 (Back Page)

HOW TO ORDER REPLACEMENT PARTS	FILL IN INFORMATION BELOW
<ul style="list-style-type: none"> <li><input type="checkbox"/> To insure product safety and reliability, always use genuine EDCO replacement parts when making repairs to the equipment.</li> <li><input type="checkbox"/> When calling for parts, specify the MODEL and SERIAL number of the machine, which can be found on the NAME PLATE. Keep that information in the space provided. In addition to this information, give part number, description, and quantity as listed on the parts list to your parts representative.</li> <li><input type="checkbox"/> Please note: Due to improvements and changes in the equipment, the illustrations shown may be different than the actual machine.</li> </ul>	<p>Date of Purchase _____</p> <p>Model # _____</p> <p>Serial # _____</p> <p>SKU # _____</p>

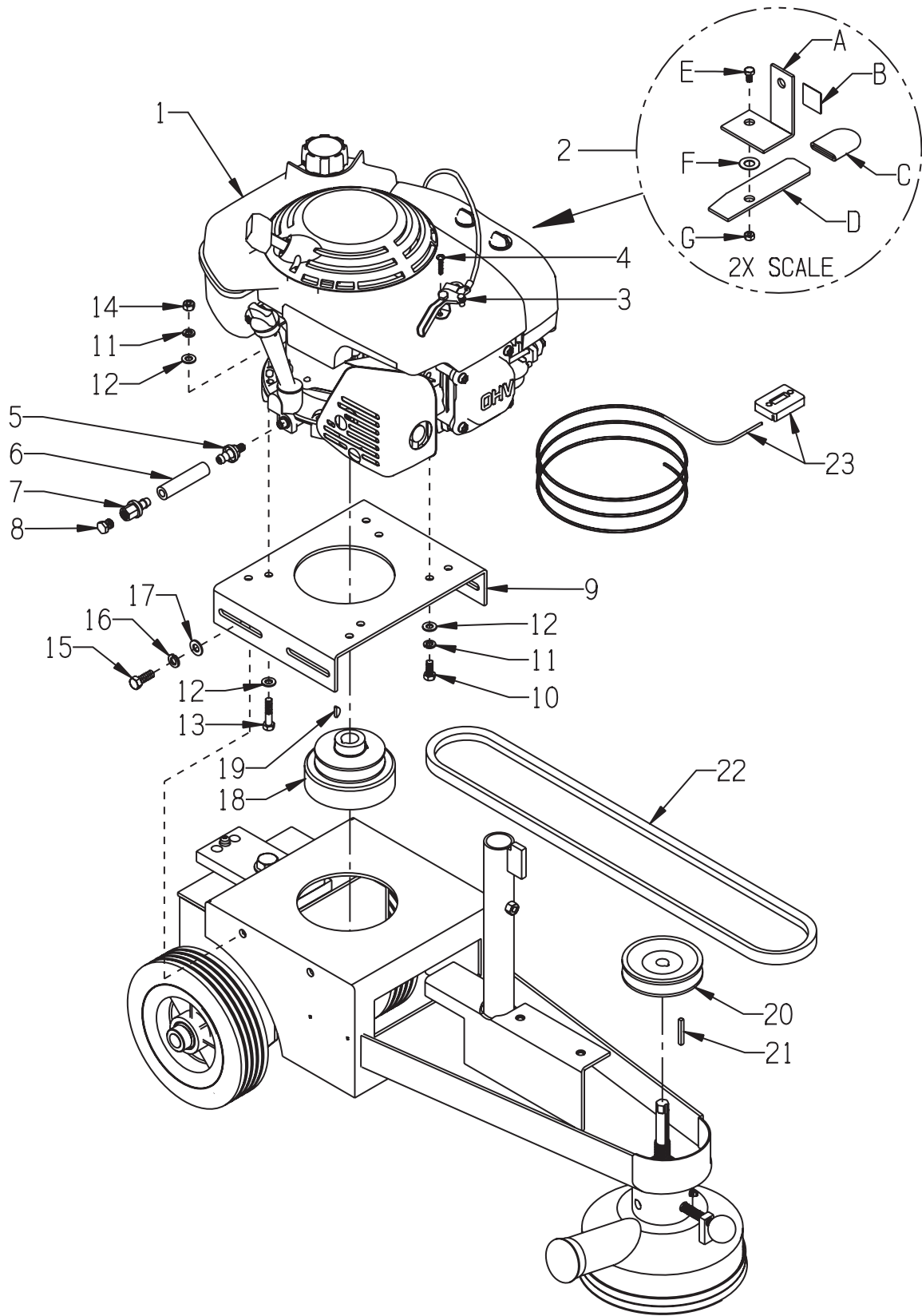


**ILLUSTRATION 1 : MAIN GROUPING**



<b>PARTS LISTING - ILLUSTRATION 1: MAIN GROUPING</b>			
ITEM #	PART #	DESCRIPTION	QTY.
1	72320	MAIN FRAME	1
2	72302	CHASSIS, WHEEL	1
3	79013	WHEEL, 8 X 2-1/2 X 3/4"BRG.POLY HUB	2
4	10009	WASHER, FLAT 3/4 SAE	2
5	10428	COLLAR, LOCKING 3/4"ID	2
6	72304	LATCH, SPRING 1/2" SNAP LOCK	1
7	11634	SCREW, CAP M6 X 1.0P X 20MM	4
8	28026	NUT, HEX NYLON LOCK M6 X 1MM	4
9	10350	SCREW, CAP 5/8-11 X 2	1
10	10073	WASHER, FLAT 5/8 SAE	1
11	72309	WASHER, DELRIN 3 X 5/8 X 1/32	1
12	72303	WASHER, WHEEL CHASSIS 1-3/4"OD X .630"ID X 3/16"THK.	1
13	11707	NUT, HEX NYLON LOCK 5/8-11	1
14	72305	HANDLE BAR	1
15	10608	GRIP, HAND .937 X 4.5 BLK VYNAFOAM	2
16	51230	KNOB, STAR CLAMPING 3/8-16 X 1"STUD	1
17	72306	COVER, BELT	1
18	65022	PLUG, HOLE 2"	1
19	10907	SCREW, CAP 3/8-16 X 3/4	2
20	10811	WASHER, LOCK 3/8	2
21	10025	WASHER, FLAT 3/8 SAE	2
22		HEAD ASEMBLY W/ COVER (REFER TO ILLUS. 4 & 5 FOR BREAKDOWNS)	1
	72313	FLEX HEAD ASSY. W/ CUT COVER (STD.)	
	72323	FLEX HEAD ASSY. W/ FULL COVER (OPT.)	
	72312	RIGID HEAD ASSY. W/ FULL COVER (OPT.)	
	72322	RIGID HEAD ASSY. W/ CUT COVER (OPT.)	
23	72021	NUT, FLANGE 5/8-11 (INCLUDED W/ HEAD ASSY., ITEM 22)	1
*24		7" DIAMOND CUPWHEEL CONCRETE DRY GRINDING 5/8"ARBOR W/ PIN HOLE	1
	72030 ...	... 40 - 50 GRIT (STANDARD)	
	72031 ...	... 150 GRIT (OPTIONAL)	
* SEE ILLUSTRATIONS 6 & 7 FOR OPTIONAL DISC ASSEMBLIES			

### ILLUSTRATION 2: ENGINE GROUPING



PARTS LISTING - ILLUSTRATION 2: ENGINE GROUPING			
ITEM #	PART #	DESCRIPTION	QTY.
1	76020	ENGINE, HONDA GXV160UH2-N12	1
2	15180	MANUAL CHOKE KIT FOR HONDA GXV160	1
A	15182	BRKT., CHOKE CONTROL, GXV160	1
B	91301	DECAL, CHOKE 5/8 X 5/8	1
C	15184	CAP, FLAT RED .062 X .75 X 1	1
D	15181	LEVER, CHOKE CONTROL, GXV160	1
E	10834	SCREW, CAP 1/4-20 X 1/2	1
F	15186	WASHER, BELLEVILLE .500 X.255 X.018	1
G	10150	NUT, HEX NYLON LOCK 1/4-20	1
3	40388	CABLE, THROTTLE, LEVER-TYPE 24"	1
4	10830	SCREW, MACHINE 10-32 X 1/2 (SHOWN)	2
	10832	NUT, KEPS 10-32 (NOT SHOWN)	2
5	11541	BARB, PUSH-ON 3/8 HOSE X10MM X 1.25	1
6	56116	HOSE, PUSH-ON 3/8"ID X 3"L	1
7	11544	BARB, PUSH-ON 3/8 HOSE X 1/4FPT	1
8	10776	PIPE PLUG 1/4 NPT (BRASS)	1
9	86311	MOUNT, ENGINE	1
10	10048	SCREW, CAP 5/16-24 X 3/4	3
11	10801	WASHER, LOCK 5/16	4
12	10213	WASHER, FLAT 5/16 SAE	5
13	10204	SCREW, CAP 5/16-18 X 1-3/4	1
14	10054	NUT 5/16-18	3
15	10055	SCREW, CAP 3/8-16 X 1	4
16	10811	WASHER, LOCK 3/8	4
17	10025	WASHER, FLAT 3/8 SAE	4
18	77024	CLUTCH, CENTRIFUGAL 3.5 X 1GR X 7/8	1
19	10019	KEY, WOODRUFF 5/32 X 5/8 (#505)	1
20	72223	SHEAVE 4"OD X 1GR.B X 5/8"BORE	1
21	10016	KEY 3/16SQ X 1-1/2	1
22	10282	BELT B-53	1
23	15138	HOUR METER, INDUCTIVE (OPTIONAL ACCESSORY)	1



A Division of Equipment Development Company, Inc.

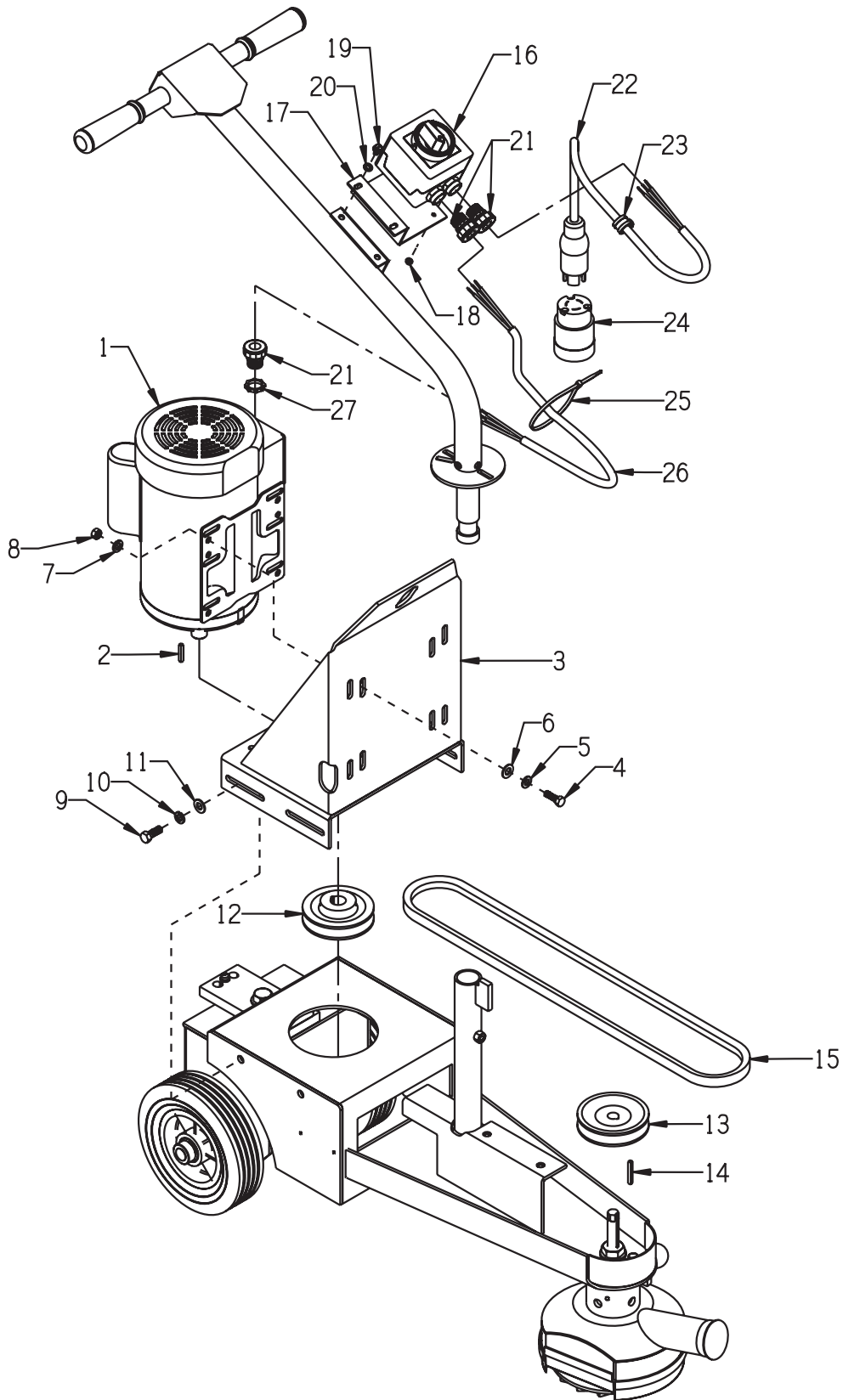
100 Thomas Johnson Drive, Frederick, MD 21702-4600 USA  
 Phone (301) 663-1600 • 1-800-638-3326  
 Fax (301) 663-1607 • 1-800-447-3326  
 Website: www.edcoinc.com  
 Email: sales@edcoinc.com

Printed in USA

JWA ©2011

Page 7

**ILLUSTRATION 3: MOTOR GROUPING**





PARTS LISTING - ILLUSTRATION 3: MOTOR GROUPING			
ITEM #	PART #	DESCRIPTION	QTY.
1	<b>16037</b>	<b>MOTOR, LEESON CAT. NO.120867 2HP-1PH-60Hz-1740RPM-115/230V</b> <i>REPLACEMENT PARTS:</i>	1
	16167	CAPACITOR, START, LEESON 003025.18 (600MFD 125V)	1
	16174	CAPACITOR, RUN, LEESON 003014.02 (50MFD-240V)	1
	16161	RESET BUTTON, LEESON 300048.04 (BRJ44DB)	1
2	-----	KEY 3/16"SQ. X 1-3/8"L (INCLUDED W/ MOTOR)	1
3	86404	MOUNT, MOTOR	1
4	10806	SCREW, CAP 5/16-18 X 1	4
5	10213	WASHER, FLAT 5/16 SAE	4
6	10025	WASHER, FLAT 3/8 SAE	4
7	10801	WASHER, LOCK 5/16	4
8	10054	NUT 5/16-18	4
9	10055	SCREW, CAP 3/8-16 X 1	4
10	10811	WASHER, LOCK 3/8	4
11	10025	WASHER, FLAT 3/8 SAE	4
12	72012	SHEAVE 4"OD X 1GR.B X 7/8"BORE	1
13	72223	SHEAVE 4"OD X 1GR.B X 5/8"BORE	1
14	10016	KEY 3/16SQ X 1-1/2	1
15	10282	BELT B-53	1
16	77043	SWITCH, ROTARY CAM ON/OFF, LOVATO (INCLUDES 2 ADAPTERS: PG16 TO 1/2"NPT)	1
17	77042	BRACKET, LOVATO ROTARY CAM SWITCH	1
18	10462	NUT, KEPS 8-32 (SHOWN)	4
	11663	SCREW, MACHINE 8-32 X 1/2 (NOT SHOWN)	4
19	10018	SCREW, CAP 1/4-20 X 3/4	2
20	10038	WASHER, LOCK 1/4	2
21	41130	STRAIN RELIEF 1/2NPT X .550-.650"	3
22	77044	PLUG W/ 12/3 WIRE HARNESS, LOCKING	1
23	11690	CLAMP, LOOM, 3/8"	1
24	40041	CONNECTOR, LOCKING 20A/125V L5-20C	1
25	10982	TIE, CABLE, BLACK NYLON 11-1/4"	1
26	77045	WIRE HARNESS 12/3 X 42"LOA	1
27	10790	CONDUIT LOCK NUT 1/2 NP	1



A Division of Equipment Development Company, Inc.

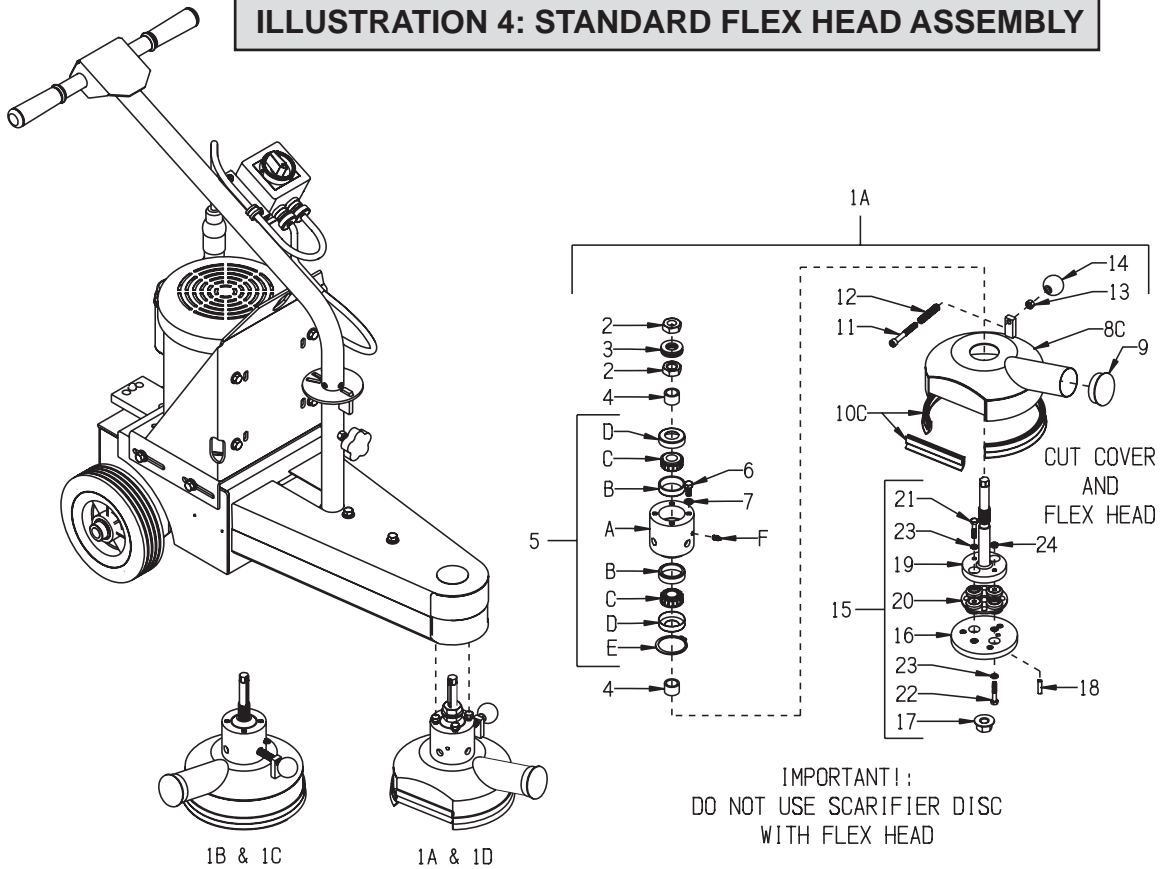
100 Thomas Johnson Drive, Frederick, MD 21702-4600 USA  
 Phone (301) 663-1600 • 1-800-638-3326  
 Fax (301) 663-1607 • 1-800-447-3326  
 Website: www.edcoinc.com  
 Email: sales@edcoinc.com

Printed in USA

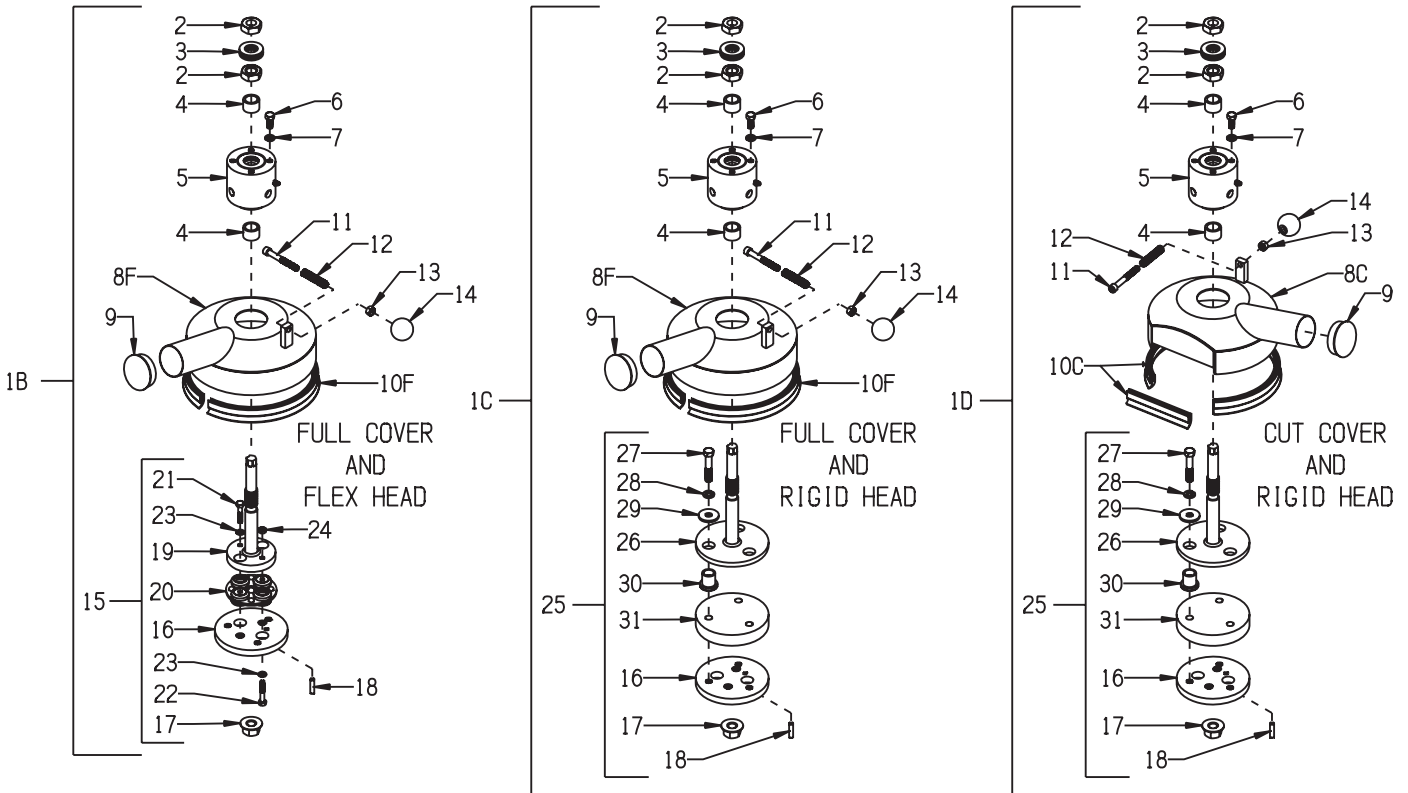
JWA ©2011

Page 9

**ILLUSTRATION 4: STANDARD FLEX HEAD ASSEMBLY**



**ILLUSTRATION 5: OPTIONAL HEAD ASSEMBLIES**



PARTS LISTING - ILLUSTRATIONS 4 & 5: STANDARD & OPTIONAL HEAD ASSEMBLIES			
ITEM #	PART #	DESCRIPTION	QTY.
1A	72313	FLEX HEAD ASSY. W/ CUT COVER (STANDARD)	1
1B	72323	FLEX HEAD ASSY. W/ FULL COVER (OPTIONAL)	1
1C	72312	RIGID HEAD ASSY. W/ FULL COVER (OPTIONAL)	1
1D	72322	RIGID HEAD ASSY. W/ CUT COVER (OPTIONAL)	1
2	10403	NUT, JAM 3/4-10	2
3	72215	WASHER, NORD-LOCK 3/4" (PAIR)	1
4	72209	SPACER, 1"OD X 3/4ID X 11/16L (HARDENED)	2
5	72210A	HUB ASSY., BEARING (INCLUDES ITEMS A THRU F)	1
A	72210	HUB, BEARING	1
B	3686	BEARING CUP, TAPERED ROLLER LM11910	2
C	3687	BEARING, TAPERED ROLLER 3/4"ID CONE LM11949	2
D	72211	SEAL CR10034 1"ID x 1.785"OD x .469"W	2
E	72212	RING, EXT. RETAINING 2"	1
F	10808	FITTING, GREASE 1/4-28 STRAIGHT	1
6	10053	SCREW, CAP 5/16-18 X 3/4	4
7	10801	WASHER, LOCK 5/16	4
8C	72308	COVER ONLY, CUT W/ 2" VACUUM PORT	1
8F	72307	COVER ONLY, FULL W/ 2" VACUUM PORT	1
9	65021	CAP/PLUG 2" RED PLASTIC, FLANGED	1
10C	72314	SEAL-STRIP REPLACEMENT, CUT COVER	1
10F	72317	SEAL-STRIP REPLACEMENT, FULL COVER	1
11	11671	SCREW, SKT. HD. CAP 5/16-24 X 2-1/2	1
12	28124	SPRING, COMP. 7/16"OD X 2"FL	1
13	10424	NUT 5/16-24	1
14	10920	KNOB, BALL 1-3/8 W/ 5/16-24THD, BLK	1
15	72316	HEAD ASSY. W/O COVER, FLEX (ITEMS 16 THRU 24)	1
16	72024	FLANGE, CUP WHEEL MOUNTING	1
17	72021	NUT, FLANGE 5/8-11	1
18	10049	PIN, ROLL 1/4 X 1	1
19	72208	FLANGE W/ SHAFT, FLEX	1
20	72025	COUPLING, MORFLEX 302 CENTER	1
21	11656	SCREW, CAP 1/4-28 X 1-1/4, GRADE 8	2
22	10038	WASHER, LOCK 1/4	4
23	11657	SCREW, CAP 1/4-28 X 1-1/2, GRADE 8	2
24	11662	NUT, HEX NYLON JAM 1/4-28	2
25	72315	HEAD ASSY. W/O COVER, RIGID (ITEMS 26 THRU 31)	1
26	72310	FLANGE W/ SHAFT, RIGID	1
27	10030	SCREW, CAP 3/8-24 X 2	3
28	10811	WASHER, LOCK 3/8	3
29	72006	WASHER, 1-1/4OD X 13/32ID X 1/8THK	3
30	72007	MOUNT, CENTER BONDED, CB-1120-1	3
31	72311	SPACER, RIGID HEAD	1



A Division of Equipment Development Company, Inc.

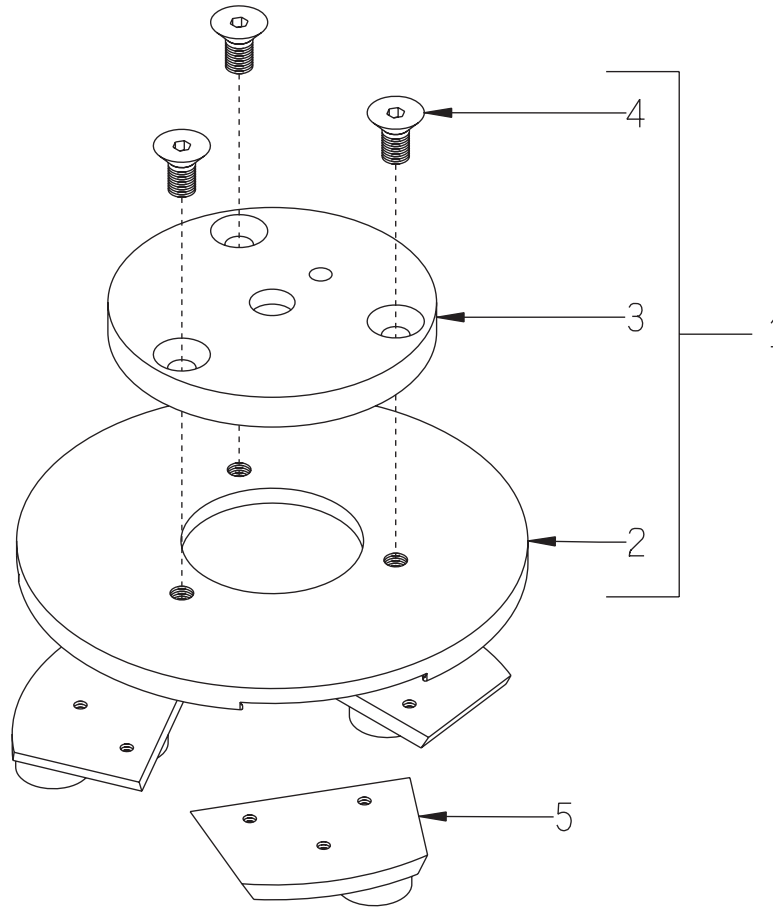
100 Thomas Johnson Drive, Frederick, MD 21702-4600 USA  
 Phone (301) 663-1600 • 1-800-638-3326  
 Fax (301) 663-1607 • 1-800-447-3326  
 Website: www.edcoinc.com  
 Email: sales@edcoinc.com

Printed in USA

JWA ©2011

Page 11

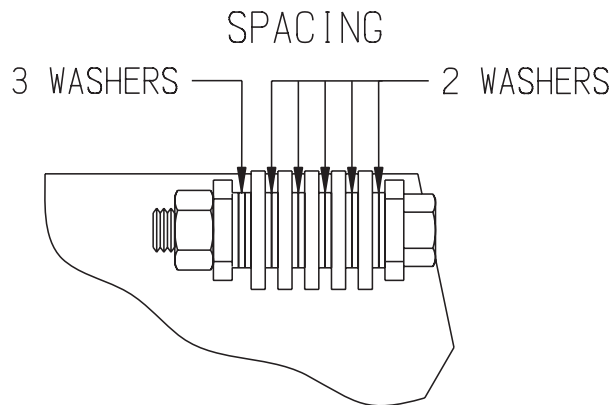
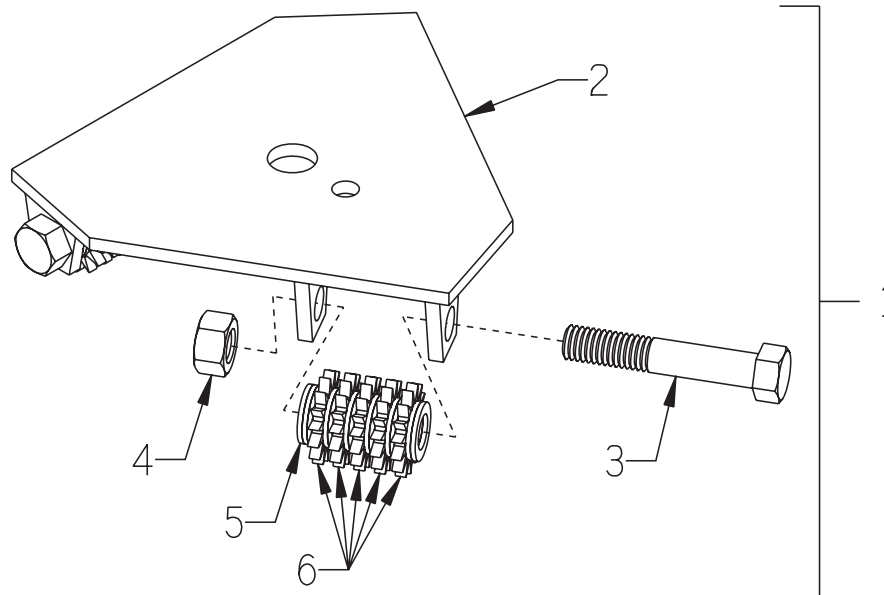
**ILLUSTRATION 6:  
OPTIONAL MULTI-DISC ASSEMBLY**



**IMPORTANT NOTE!:**  
WHEN USING WITH THE CUT STYLE COVER; THE RUBBER SEAL MUST BE REMOVED FROM THE FLAT SECTION OF THE COVER FOR CLEARANCE.

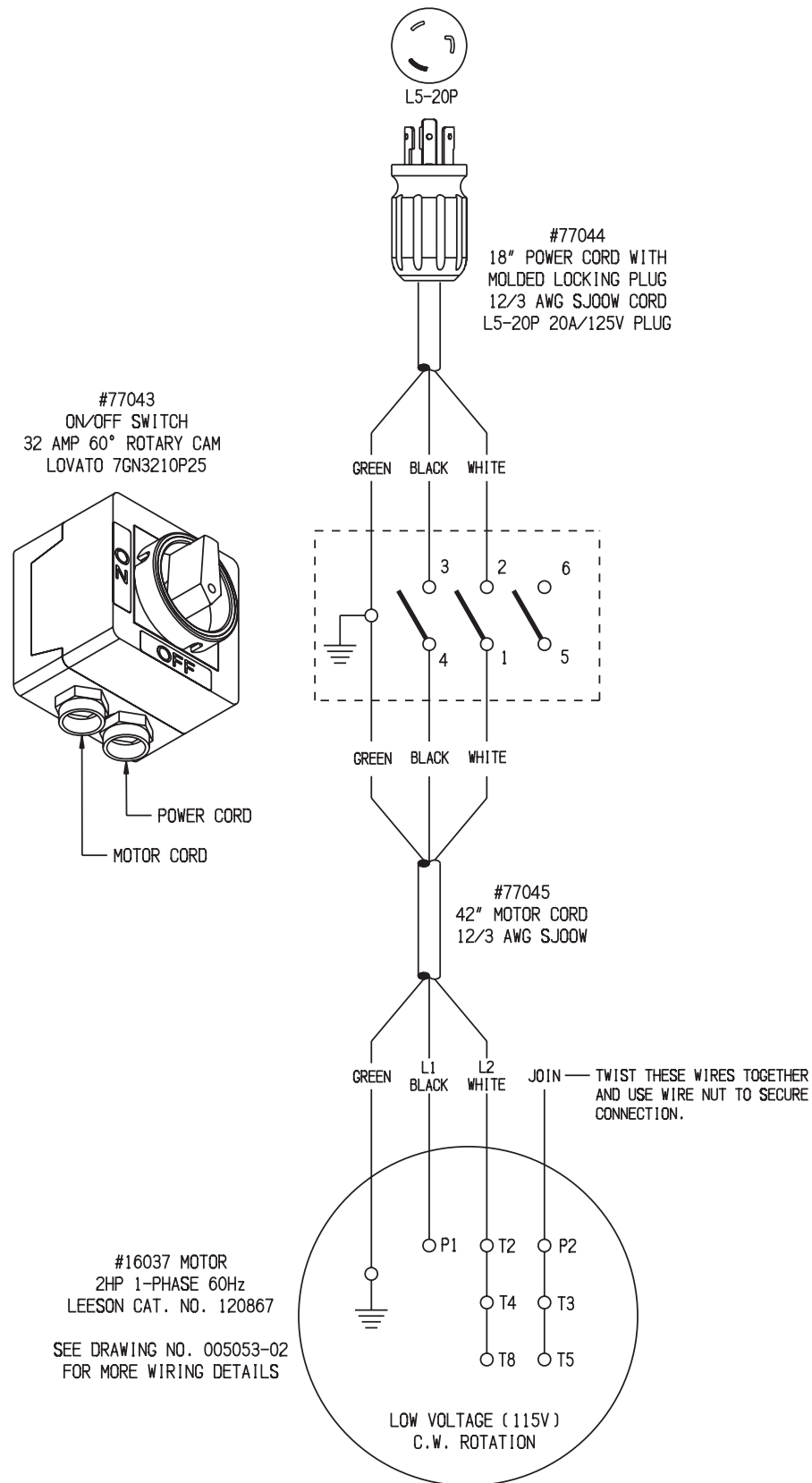
ITEM #	PART #	DESCRIPTION	QTY.
1	72034	MULTI-DISC ASSEMBLY 7" (INCLUDES ITEMS 2 THRU 4)	1
2	72034-SA	MULTI-DISC ONLY	1
3	72035	HUB, MULTI-DISC	1
4	86108	SCREW, FLAT HD SKT 3/8-24 X 3/4	3
5	SEE ACCESSORY LITERATURE	QUICK-CHANGE DIAMOND ACCESSORY (NOT INCLUDED) VARIOUS TYPES AND GRITS ARE AVAILABLE. SEE ACCESSORY LITERATURE FOR INFORMATION.	3 REQ'D. PER DISC

**ILLUSTRATION 7:  
OPTIONAL SCARIFIER DISC ASSEMBLY  
IMPORTANT! - USE ON MODELS WITH RIGID HEAD ONLY**



ITEM #	PART #	DESCRIPTION	QTY.
1	72040	7EDSD SCARIFIER DISC ASSY. 7" (INCLUDES ITEMS 2 THRU 6)	1
2	72041	DISC, SCARIFIER 7"	1
3	10175	SCREW, CAP 7/16-14 X 2-1/2 GRADE 8	3
4	10176	NUT, HEX NYLON LOCK 7/16-14	3
5	72045	WASHER, FLAT 7/16" 18-8SS AN960	39
6	72050	CUTTER WHEEL 1-3/16"(SOLID CARBIDE)	15

**ILLUSTRATION 8: SWITCH WIRING DIAGRAM**



**ILLUSTRATION 9: MOTOR WIRING DIAGRAM**

**LEESON CAT. NO. 120867**  
**2 H.P. - 1 PHASE - 60 Hz - 115/230 VOLT**

USE CONNECTIONS FOR CLOCK-WISE (C.W.) ROTATION SHOWN BELOW IN CHART  
 MOTOR CORD: L1 = BLACK WIRE, L2 = WHITE WIRE, GROUND = GREEN WIRE  
 LOW VOLT (115V) STANDARD, HIGH VOLT (230V) OPTIONAL

005053-02

VIEW FROM OUTSIDE OF MOTOR AT SWITCH END.

LINE LEADS

	ROTATION FACING LEAD END	L1	L2	JOIN	INSULATE SEPARATELY
HIGH VOLT	C.C.W.	P1	T4 T5	T2, T3 T8	P2
	C.W.	P1	T4 T8	T2, T3 T5	P2
LOW VOLT	C.C.W.	P1	T2, T4 T5	P2, T3 T8	-----
	C.W.	P1	T2, T4 T8	P2, T3 T5	-----

\* THIS LEAD MAY BE WHITE

		TOLERANCES UNLESS SPECIFIED		REGAL-BELOIT <i>Motor Technologies</i> GROUP		DRAWN ADH 06/16/76			
		DEC.	INCHES			CHK	WRK	06/30/76	
		.X	±.1	TITLE EXTERNAL WIRING DIAGRAM TYPE "K" W/PROTECTOR		APPD			
04	ADDED "*" TO T5	RLW	7/22/02			.XXX	±.005	SCALE 1=1	
03	REDRAWN ON CAD	DBT	05/27/97	XXXX	±.0005	REF			
NO.	REVISION	BY & DATE	CHK	ANG	±1/2'	FINISH	PREV		
THIS DRAWING IN DESIGN AND DETAIL IS OUR PROPERTY AND MUST NOT BE USED EXCEPT IN CONNECTION WITH OUR WORK ALL RIGHTS OF DESIGN AND INVENTION ARE RESERVED THIS IS AN ELECTRONICALLY GENERATED DOCUMENT - DO NOT SCALE THIS PRINT				RFP	CAD FILE	00505302	SIZE	DRAWING NO.	REV.
				DIST			A	005053-02	04



100 Thomas Johnson Drive, Frederick, MD 21702-4600 USA  
 Phone (301) 663-1600 • 1-800-638-3326  
 Fax (301) 663-1607 • 1-800-447-3326  
 Website: www.edcoinc.com  
 Email: sales@edcoinc.com

**LIMITED EQUIPMENT WARRANTY OF SALE – TERMS & CONDITIONS**

Equipment Development Company, Inc. herein referred to as EDCO (Seller) warrants that each new unit manufactured by EDCO to be free from defects in material and workmanship in normal use and service for a period of (1) one year (except for the cutter drum assembly on all model concrete/asphalt planes, in which case the warranty period shall be 90 days) from date of shipment to the original retail or equipment rental center owner.

Accessories or equipment furnished and installed on the product by EDCO but manufactured by others, including, but not limited to engines, motors, electrical components, transmissions etc., shall carry the accessory manufacturers own warranty.

EDCO will, at its option, repair or replace, at the EDCO factory or at a point designated by EDCO, any part which shall appear to the satisfaction of EDCO inspection to have been defective in material or workmanship.

EDCO reserves the right to modify, alter and improve any part or parts without incurring any obligation to replace any part or parts previously sold without such modified, altered or improved part or parts.

This warranty is in lieu of and excludes all other warranties, expressed, implied, statutory, or otherwise created under applicable law including, but not limited to the warranty of merchantability and the warranty of fitness for a particular purpose in no event shall seller or the manufacturer of the product be liable for special, incidental, or consequential damages, including loss of profits, whether or not caused by or resulting from the negligence of seller and/or the manufacturer of the product unless specifically provided herein. In addition, this warranty shall not apply to any products or portions thereof of which have been subjected to abuse, misuse, improper installation, maintenance, or operation, electrical failure or abnormal conditions and to products which have been tampered with, altered, modified, repaired, reworked by anyone not approved by seller or used in any manner inconsistent with the provisions of the above or any instructions or specifications provided with or for the product

**FORCE MAJEURE**

Seller's obligation hereunder are subject to, and Seller shall not be held responsible for, any delay or failure to make delivery of all or any part of the Product due to labor difficulties, fires, casualties, accidents, acts of the elements, acts of God, transportation difficulties, delays by a common carrier, inability to obtain Product, materials or components or qualified labor sufficient to timely perform part of or all of the obligations contained in these terms and conditions, governmental regulations or actions, strikes, damage to or destruction in whole or part of manufacturing plant, riots, terrorist attacks or incidents, civil commotions, warlike conditions, flood, tidal waves, typhoon, hurricane, earthquake, lightning, explosion or any other causes, contingencies or circumstances within or without the United States not subject to the Seller's control which prevent or hinder the manufacture or delivery of the Products or make the fulfillment of these terms and conditions impracticable. In the event of the occurrence of any of the foregoing, at the option of Seller, Seller shall be excused from the performance under these Terms and Conditions, or the performance of the Seller shall be correspondingly extended.

This document sets forth the terms and conditions pursuant to which the purchaser ("Purchaser") will purchase and Equipment Development Co. Inc. ("Seller") will sell the products, accessories, attachments (collectively the Products) ordered by the Purchaser. These terms and conditions shall govern and apply to the sale of Seller's Products to Purchaser, regardless of any terms and conditions appearing on any purchase order or other forms submitted by Purchaser to Seller, or the inconsistency of any terms therein and herein.

**1. PRICE**

All prices set forth on any purchase order or other document are F.O.B. Sellers facility or distribution point, as may be determined by Seller (F.O.B. Point). All prices are exclusive of any and all taxes, including, but not limited to, excise, sales, use, property or transportation taxes related to the sale or use of the Products, now or hereafter imposed, together with all penalties and expenses. Purchaser shall be responsible for collecting and/or paying any and all such taxes, whether or not they are stated in any invoice for the Products. Unless otherwise specified herein, all prices are exclusive of inland transportation, freight, insurance and other costs and expenses relating to the shipment of the Products from the F.O.B. point to Purchaser's facility. Any prepayment by Seller of freight insurance and other costs shall be for the account of Purchaser and shall be repaid to Seller.

**2. PAYMENT TERMS**

Payment terms are as follows. 2% 10 days (to approved and qualified accounts). Net 30 days. This is a cash discount for invoices paid within 10 days after the invoice date, regardless of date of receipt of shipment. This is not a trade discount and will not be granted to accounts that do not adhere to stated terms.

\*All past due accounts are subject to a late payment fee of 1.5% per month or a maximum allowed by law if different, along with the expenses incidental to collection including reasonable attorney's fees and costs.

\*Seller reserves the right to hold shipments against past due accounts.

\*Seller reserves the right to alter payment terms.

**3. FREIGHT TERMS**

All shipments will be made F.O.B. shipping point as designated in these Terms and Conditions, and title shall pass at the F.O.B. point. Delivery to the initial common carrier shall constitute delivery to the Purchaser. Any claims for loss or damage during shipment are to be filed with carrier by the Purchaser. Seller will not assume responsibility for the performance of the carrier.

Back orders will be shipped in the most practical fashion with charges consistent with our freight policy established with the original order. UPS, FED EX, MAIL or shipments by other couriers are subject to the same terms and conditions as outlined in paragraph #3 "Freight Terms".

**4. DELIVERY, DAMAGES, SHORTAGES**

Seller shall use reasonable efforts to attempt to cause the Products to be delivered as provided for in these Terms & Conditions. Delivery to the initial common carrier shall constitute the delivery to the Purchaser. Seller's responsibility, in so far as transportation risks are concerned ceases upon the delivery of the Products in good condition to such carrier at the F.O.B. point and all the Products shall be shipped at the Purchaser's risk. Seller shall not be responsible or liable for any loss of income and/or profits, or incidental, special, consequential damages resulting from Seller's delayed performance in shipment and delivery.

**5. RETURN OF DEFECTIVE PRODUCTS**

Defective or failed material shall be held at the Purchaser's premises until authorization has been granted by Seller to return or dispose of Products. Products that are to be returned for final inspection must be returned Freight Prepaid in the most economical way. Credit will be issued for material found to be defective upon Seller's inspection based on prices at time of purchase.

**6. PRODUCTS ORDERED IN ERROR**

Products may be returned, provided that claim is made and Seller is notified within 7 days of receipt of Products, and the Products are in original buyer's possession not more than 30 days prior to return, subject to Seller's approval. If Products are accepted for return, they must be Freight Prepaid and buyer will be charged a minimum of 15% restocking charge, plus a charge back for outbound freight charges if the original order was shipped prepaid. Returns are not accepted for any Products that are specifically manufactured to meet the buyer's requirement of either specifications or quantity.

**AGREEMENTS**

These Terms and Conditions constitute the entire agreement between Seller and Purchaser as it relates to terms and conditions of sale, and supersedes any and all prior oral or written agreements, correspondence, quotations or understandings heretofore in force between the parties relating to the subject matter hereof. There are no agreements between Seller and Purchaser with respect to the Product herein except those specifically set forth in and made part of these terms and conditions. Any additional terms, conditions and/or prices are rejected by Seller.

These terms and conditions may be modified, cancelled or rescinded only by a written agreement of both parties executed by their duly authorized agents.

**USE ONLY GENUINE EDCO PARTS & ACCESSORIES**  
**For your own safety, the safety of others and the life of your machine.**

**Equipment Development Company, Inc.**

